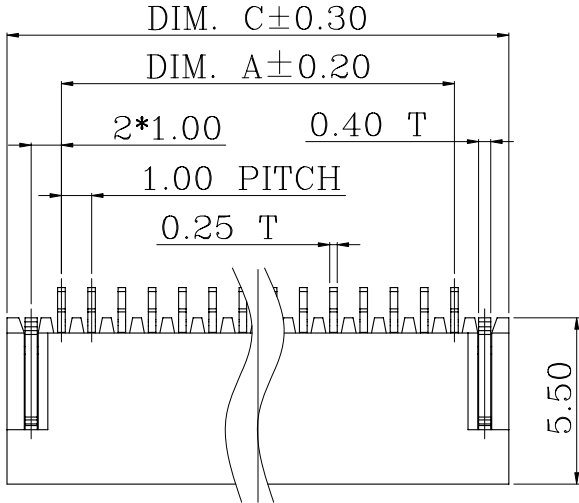


Tolerance:(unit:mm)

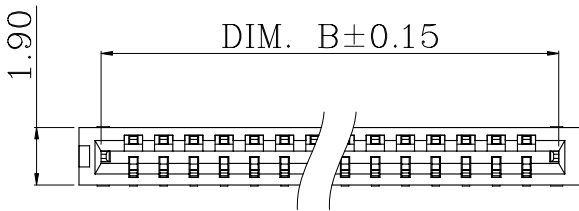
Material:NYLON 66 UL 94V-2

- \* ±0.25
- \*\* ±0.15
- \*\*\* ±0.10

Part NO:JF100-01XXR211R



CKT.	DIM.A	DIM.B	DIM.C	Q'ty/Reel (pcs)	CKT.	DIM.A	DIM.B	DIM.C	Q'ty/Reel (pcs)
4	3.0	5.14	6.6	1000pcs	18	17.0	19.14	20.6	500pcs
5	4.0	6.14	7.6	1000pcs	19	18.0	20.14	21.6	500pcs
6	5.0	7.14	8.6	1000pcs	20	19.0	21.14	22.6	500pcs
7	6.0	8.14	9.6	1000pcs	21	20.0	22.14	23.6	500pcs
8	7.0	9.14	10.6	1000pcs	22	21.0	23.14	24.6	500pcs
9	8.0	10.14	11.6	1000pcs	23	22.0	24.14	25.6	500pcs
10	9.0	11.14	12.6	1000pcs	24	23.0	25.14	26.6	500pcs
11	10.0	12.14	13.6	1000pcs	25	24.0	26.14	27.6	500pcs
12	11.0	13.14	14.6	1000pcs	26	25.0	27.14	28.6	500pcs
13	12.0	14.14	15.6	1000pcs	27	26.0	28.14	29.6	500pcs
14	13.0	15.14	16.6	500pcs	28	27.0	29.14	30.6	500pcs
15	14.0	16.14	17.6	500pcs	29	28.0	30.14	31.6	500pcs
16	15.0	17.14	18.6	500pcs	30	29.0	31.14	32.6	500pcs
17	16.0	18.14	19.6	500pcs					



RECOMMENDED PCB LAYOUT  
(TOLERANCE ±0.05)

