

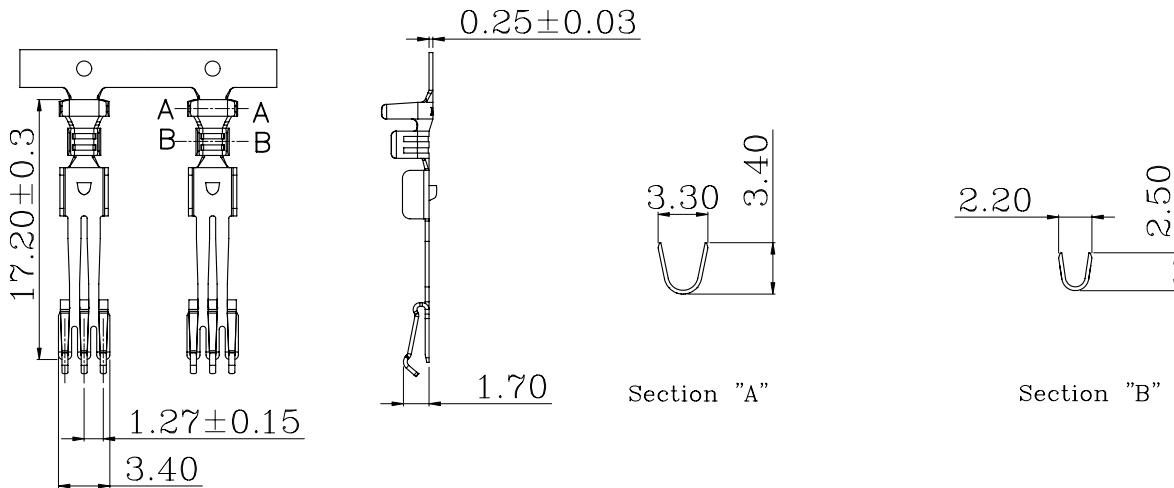


6758 Terminal wire to Board Connector

Ordering Information

Part No.	Material	Wire Range	Insulation O.D.	Plated	Q'ty/Reel	Remark
J6758PS-03	Phosphor Bronze	AWG#18~24	2.80mm max	Gold Plated	15000pcs	

Tolerance:(unit:mm) . ± 0.25 / . ± 0.15 / . ± 0.10



6758 Series Connector

Tolerance:(unit:mm)

- . ± 0.25
- . ± 0.15
- . ± 0.10

Material:NYLON 66 UL 94V-2

Q'ty/Reel:1000pcs

Part NO:JP6758-15

