

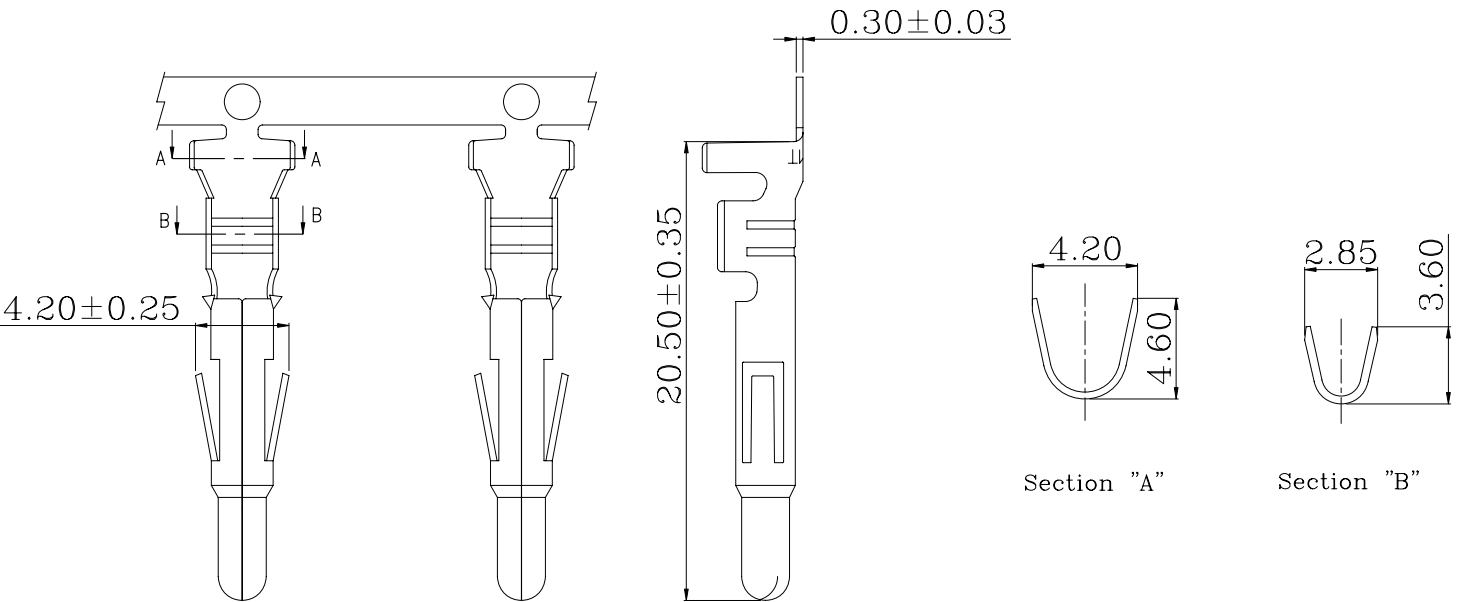


# 6351 Terminal board-In Connector

## Ordering Information

Part No.	Material	Wire Range	Insulation O.D.	Plated	Q'ty/Reel	Remark
J6351BS-2	Brass	AWG#16~22	3.00mm max	Tin Plated	8000pcs	

Tolerance:(unit:mm)      . $\pm 0.25$  /. $\pm 0.15$  /. $\pm 0.10$



# 635 Series Connector

Tolerance:(unit:mm)

- . $\pm 0.25$
- . $\pm 0.15$
- . $\pm 0.10$

Material:NYLON 66 UL 94V-2

Q'ty/Reel:500pcs

Part NO:JP635-13201

