

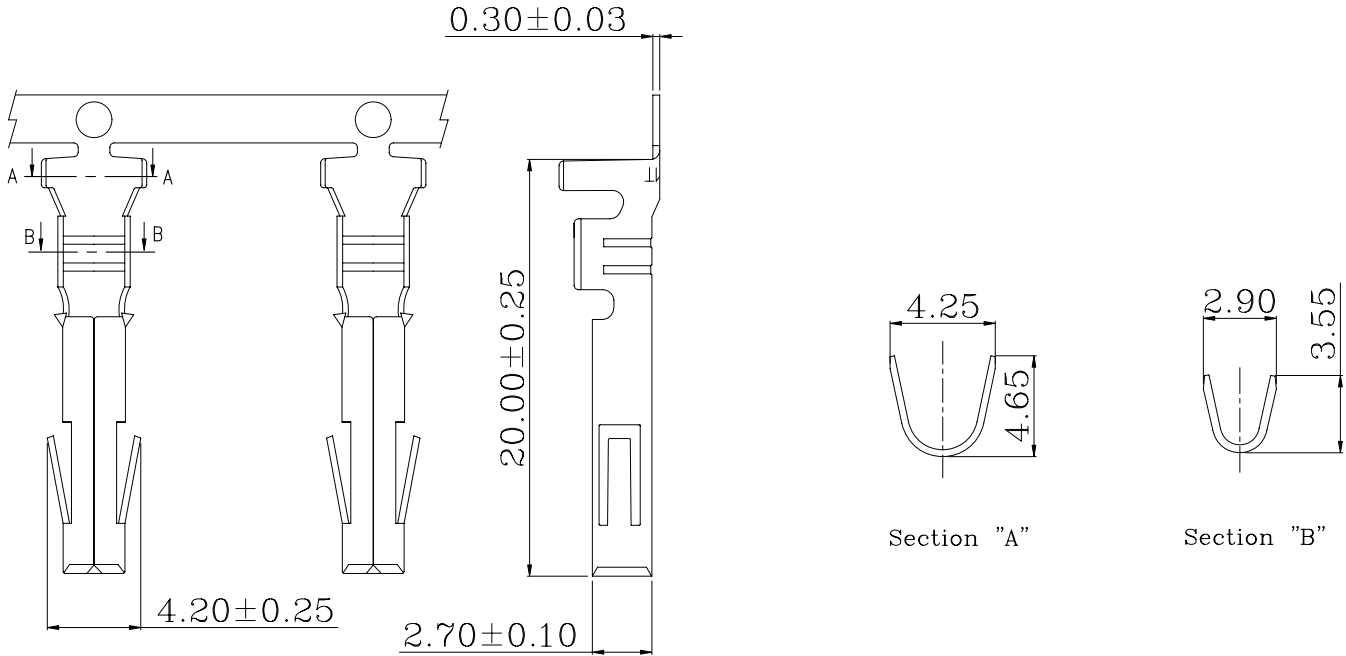


6350 Terminal board-In Connector

Ordering Information

Part No.	Material	Wire Range	Insulation O.D.	Plated	Q'ty/Reel	Remark
J6350BS-2	Brass	AWG#16~22	3.00mm max	Tin Plated	8000pcs	

Tolerance:(unit:mm) .^{*}±0.25 / .^{**}±0.15 / .^{***}±0.10



635 Series Connector

Tolerance:(unit:mm)

Material:NYLON 66 UL 94V-2

- .^{*} ±0.25
- .^{**} ±0.15
- .^{***} ±0.10

Q'ty/Reel:1000pcs

Part NO:JP635-23200

