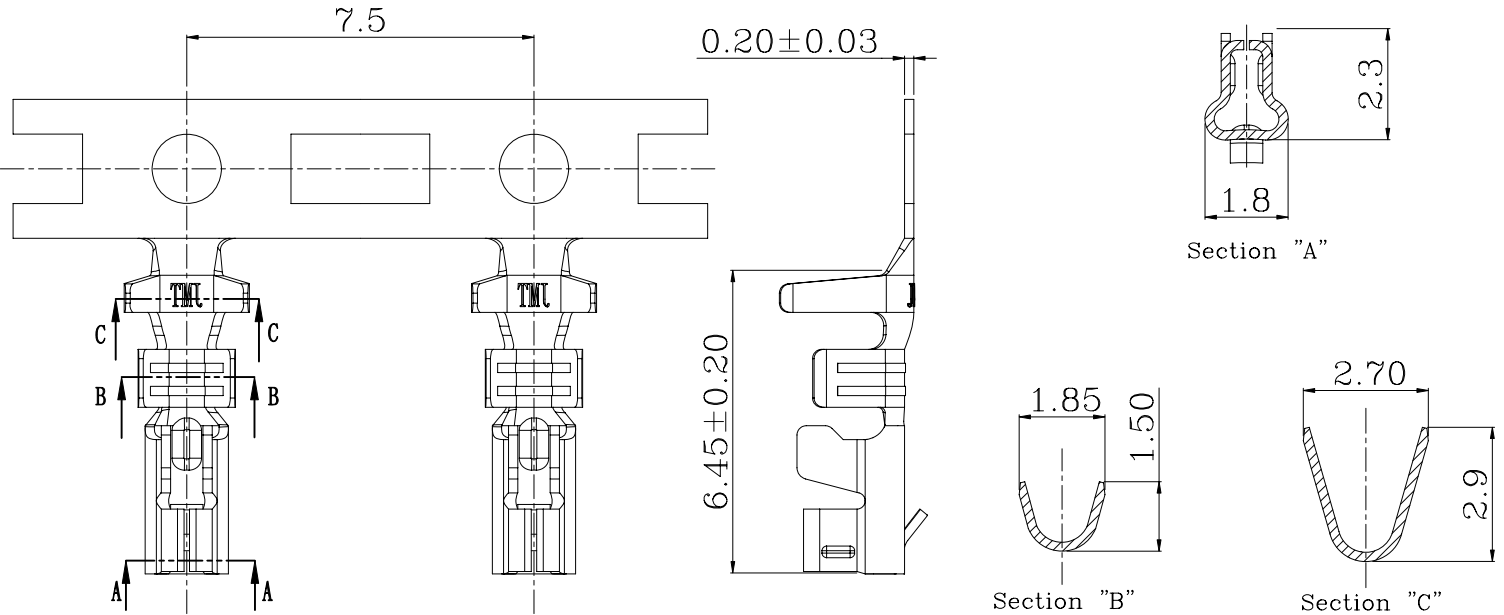




# 25A Terminal board-In Connector

## Ordering Information

Part No.	Material	Wire Range	Insulation O.D.	Plated	Q'ty/Reel	Remark
J25APS-020	Phosphor Bronze	AWG#20~26	2.00mm max	Tin Plated	15000pcs	
Tolerance:(unit:mm)		.*±0.25 /.**±0.15 /.**±0.10				



# 25A Series Connector

Tolerance:(unit:mm)

Material:NYLON 66 UL 94V-2

- \* ±0.25
- \*\* ±0.15
- \*\*\* ±0.10

Q'ty/Reel:1000pcs

Part NO:JP25A-13010

