

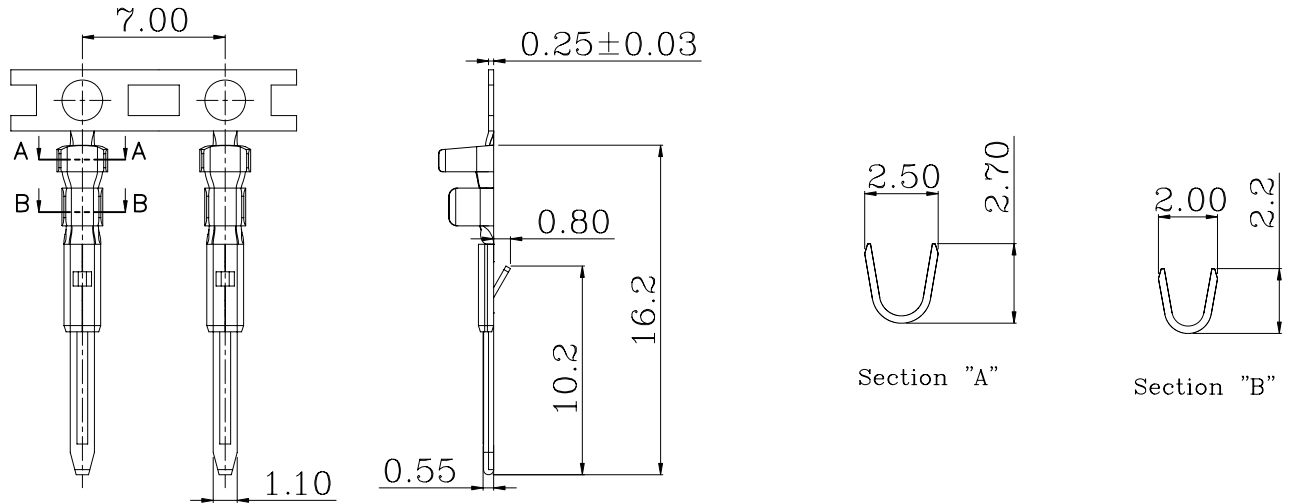


250 Terminal Board-In Connector

Ordering Information

Part No.	Material	Wire Range	Insulation O.D.	Plated	Q'ty/Reel	Remark
J250BS-E01	Brass	AWG#20~26	1.80mm max	Tin Plated	15000pcs	
J250PS-E01	Phosphor Bronze	AWG#20~26	1.80mm max	Tin Plated	15000pcs	

Tolerance:(unit:mm) . \pm 0.25 / . \pm 0.15 / . \pm 0.10



250 Terminal Board-In Connector

Ordering Information

Part No.	Material	Wire Range	Insulation O.D.	Plated	Q'ty/Reel	Remark
J250BS-E11	Brass	AWG#20~26	2.00mm max	Tin Plated	10000pcs	
J250PS-E11	Phosphor Bronze	AWG#20~26	2.00mm max	Tin Plated	10000pcs	

Tolerance:(unit:mm) . \pm 0.25 / . \pm 0.15 / . \pm 0.10

