

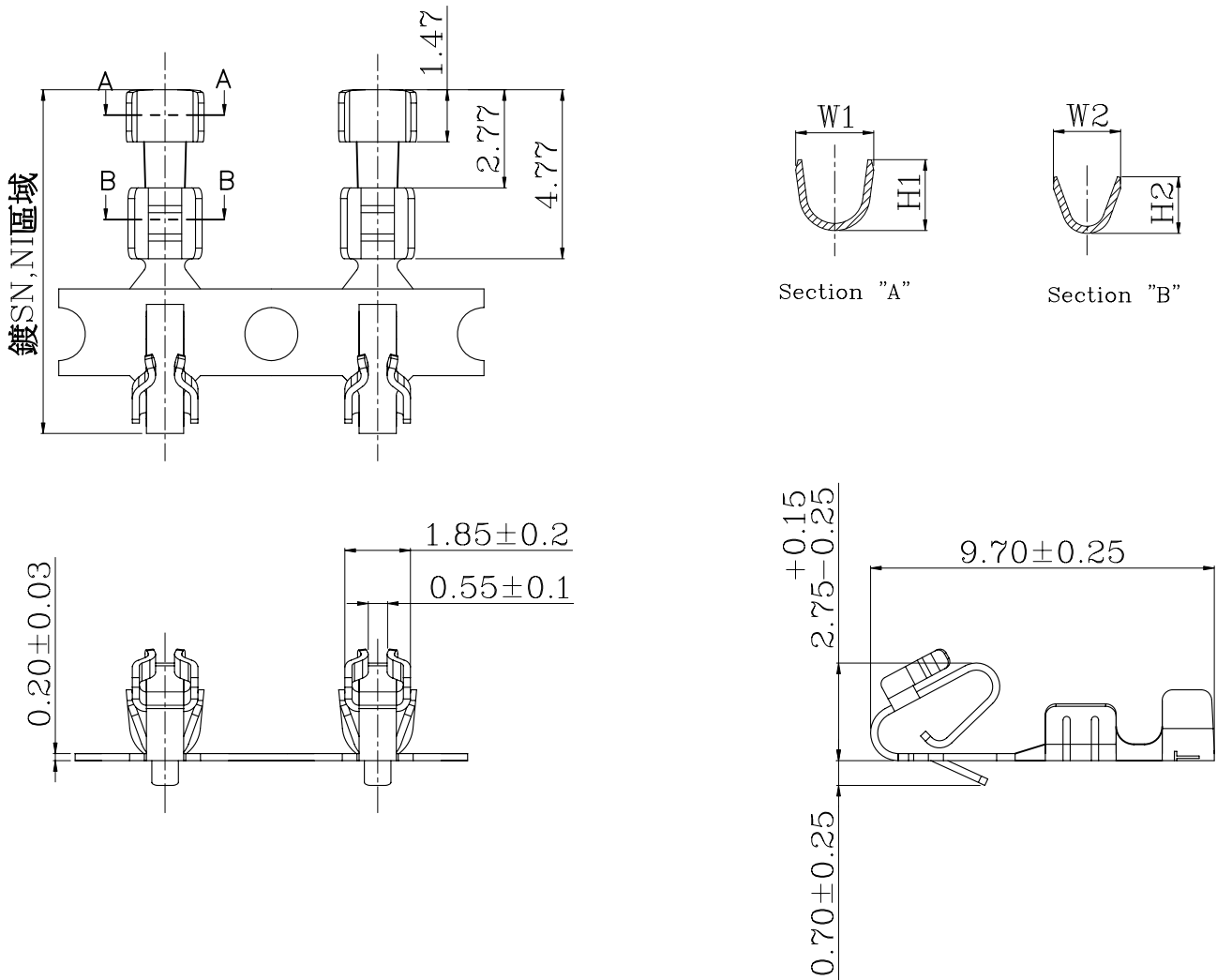


24111 Terminal board-In Connector

Ordering Information

Part No.	Material	Wire Range	Insulation O.D.	Plated	Q'ty/Reel	Remark
J24111PS-3JCA-1	Phosphor Bronze	AWG#22~26	1.60mm max	Tin Plated	8000pcs	
J24111PS-3JCA-2	Phosphor Bronze	AWG#20~26	1.80mm max	Tin Plated	8000pcs	

Tolerance:(unit:mm) . *±0.25 / . **±0.15 / . ***±0.10



Part No.	W1	H1	W2	H2
J24111PS-3JCA-1	2.2±0.30	2.0±0.30	1.9±0.30	1.6±0.30
J24111PS-3JCA-2	2.2±0.30	2.5±0.30	1.9±0.30	1.6±0.30