

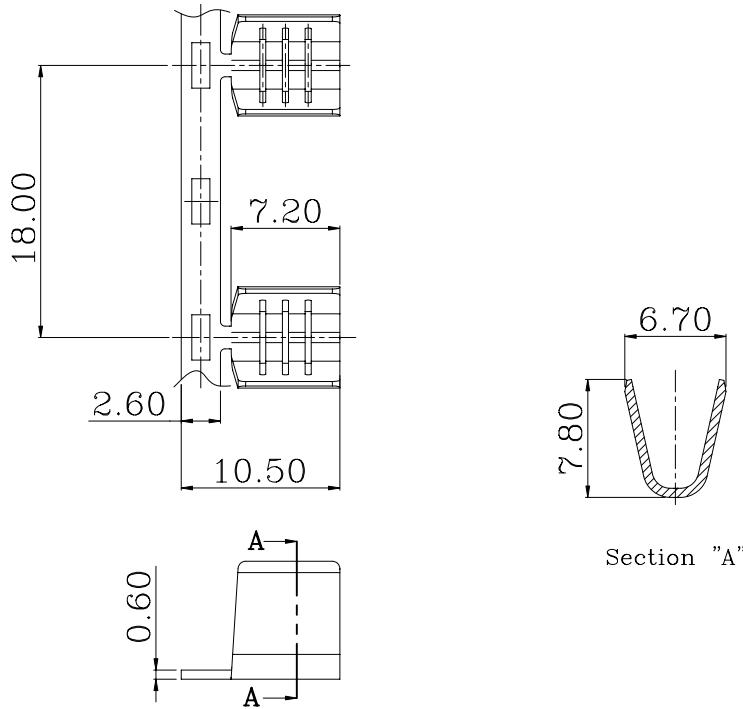


# 2138 Quick Tenmind

## Ordering Information

Part No.	Material	Wire Range	Insulation O.D.	Plated	Q'ty/Reel	Remark
J2138BS-00LA-0	Brass	AWG#14~18	3.20mm max	Tin Plated	4500pcs	

Tolerance:(unit:mm)      . $\pm 0.25$  / . $\pm 0.15$  / . $\pm 0.10$



# 2138 Quick Tenmind

## Ordering Information

Part No.	Material	Wire Range	Insulation O.D.	Plated	Q'ty/Reel	Remark
J2138BS-00JA-0	Brass	AWG#14~18	3.40mm max	Tin Plated	4500pcs	

Tolerance:(unit:mm)      . $\pm 0.25$  / . $\pm 0.15$  / . $\pm 0.10$

