

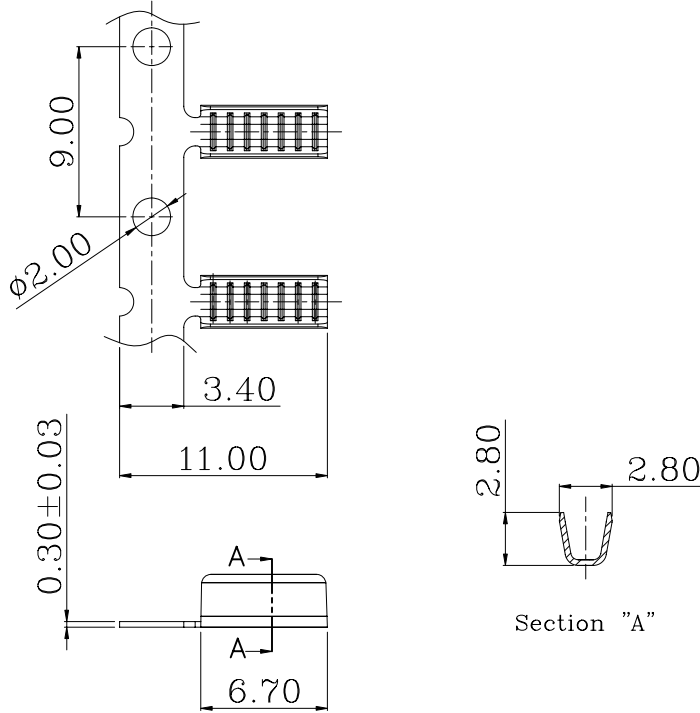


2135 Quick Tenmind

Ordering Information

Part No.	Material	Wire Range	Insulation O.D.	Plated	Q'ty/Reel	Remark
J2135BS-00EA-0	Brass	AWG#22~26	1.60mm max	Tin Plated	8000pcs	

Tolerance:(unit:mm) . ± 0.25 / . ± 0.15 / . ± 0.10



2137 Quick Tenmind

Ordering Information

Part No.	Material	Wire Range	Insulation O.D.	Plated	Q'ty/Reel	Remark
J2137BS-00HA-0	Brass	AWG#16~22	3.00mm max	Tin Plated	5000pcs	

Tolerance:(unit:mm) . ± 0.25 / . ± 0.15 / . ± 0.10

